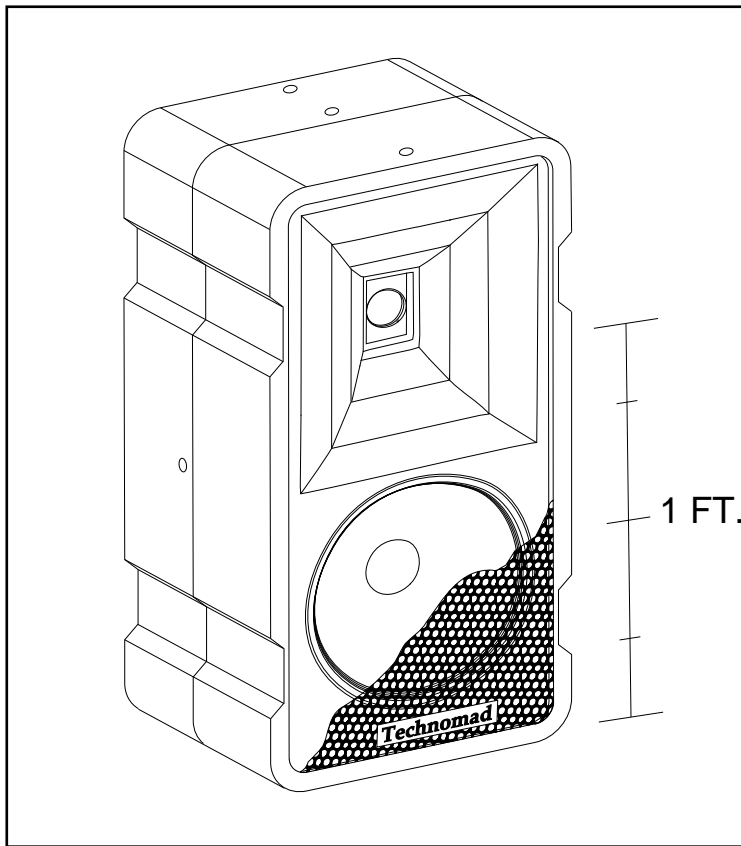


The Vienna 16

LG Series

Compact Weather Resistant, 2-Way Full-Range Loudspeaker System



Features

- Compact, ruggedized Mil-Spec 810E cabinet
- Weather and environment resistant drivers and electronics
- One-piece, 1/2" thick molded shell -no finishes to crack or chip
- 10 Year Cabinet, 5 Year Hardware, 2 Year Electronics warranty
- 5/16-18 T-Nut flypoints
- Four rear 1/4-20 T-Nuts for OmniMount™ 75
- Accepts bolt-on standmount fittings
- WeatherTech™ grill system
- Immersion-tolerant
- Thirteen (13) optional cabinet colors
- Optional switchable 3-tap 70-volt transformer

Applications

- High-output distributed sound systems
- Ultra-compact mobile sound
- Under-balcony and delay fills
- Amusement parks
- Aquatic facilities
- Seaside and ski resorts
- Casinos
- City, state and national parks
- Cruise ships, Yachts, Casino & Tour Boats
- Stadiums and Arenas
- Outdoor theaters
- Broadcast remotes
- Military and other government uses
- Ice Skating Rinks
- Indoor Pools

The Vienna 16 is designed to be used in abusive, real-world situations- year-round, indoors or out - without fear of water, salt, sand, insect, temperature, mold, mildew, chemical, condensation, or other damage. Combining super-rugged, U.S. Armed Forces road case technology with a number of acoustic innovations, Technomad builds uniquely compact and durable loudspeakers that are very powerful and musically accurate. Technomad LG Series loudspeakers are all environment resistant, as well as water-tight.

Technomad loudspeakers feature True-Bass™ Tuning, which allows deeper bass response, as well as greater fidelity, power and efficiency from a smaller loudspeaker cabinet. Technomad loudspeakers are extremely EQ compliant and offer the user unrivaled control over every type of program material, through the entire frequency spectrum, regardless if it's recorded or live music, spoken word, sound effects, etc. The Vienna 16 is the perfect unit for any application where very compact size and powerful full-spectrum sound is required. Only the highest quality components are used in Technomad crossover networks.

Metalized polypropylene capacitors and heavy gauge inductors minimize insertion loss and result in smooth response throughout the operating bandwidth.

The Vienna 16 is designed for maximum flexibility and ease of use. Developed with the contractors' needs in mind, the Vienna 16 incorporates a wide range of mounting fittings. Rated 5/16-18 T-Nut inserts on each side allow easy suspension, and T-Nuts are also provided to attach standard Quik Lok™ or Ultimate Support™ stand sockets. The Vienna 16 is OmniMount™ 75 Series compatible via four 1/4-20 inserts on the back of the loudspeaker. The Vienna 16 is extremely weather resistant. Custom-designed rubber-surround polypropylene mid/bass drivers are treated with proprietary low-residue coatings for long, reliable service. The 1" diameter ceramic high-frequency driver offers excellent performance in even the most severe weather conditions. The Vienna 16 can even be briefly immersed in water without damage.

Specifications

Vienna 16

Audio Specifications

Frequency Response (+/- 2 dB)	85 Hz-17.5 kHz
Maximum Continuous Power ¹	135 watts
Maximum Peak Power ¹	270 watts
Recommended Amplifier Power*	150 watts
Sensitivity (swept sine wave)**	93 dB SPL
Sensitivity (full spectrum)***	N/A
Maximum Output (long term) ¹	N/A
Maximum Output (peak)	111 dB SPL
HF Dispersion	90° V x 90° H
Nominal Impedance	8 ohms
Low Frequency Limit	-10 dB @ 70 Hz

Signal Chain

HF	1" Ceramic Driver
LF	6.5" Polypropylene Driver
Connectors	2 x Neutrik™ NL4MP Speak-on, rear mounted
Crossover	Passive Internal
70-Volt (option)	10, 16, 30, 43 watt switchable taps

¹ Based on EIA test RS-426A, pink noise used as test source

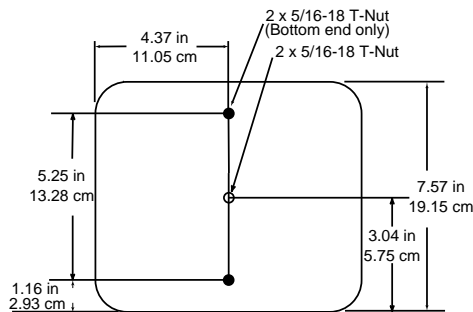
* Maximum continuous program

** Axial 1W@1M

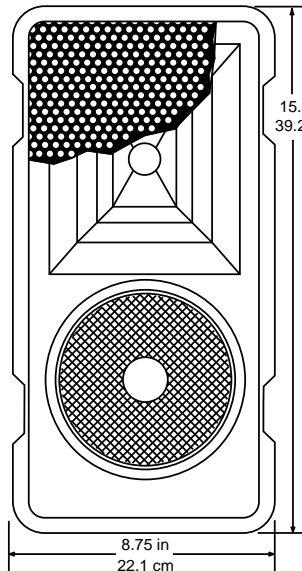
*** Axial 1W@1M full spectrum input, averaged 100 Hz-10 kHz

Physical Specifications

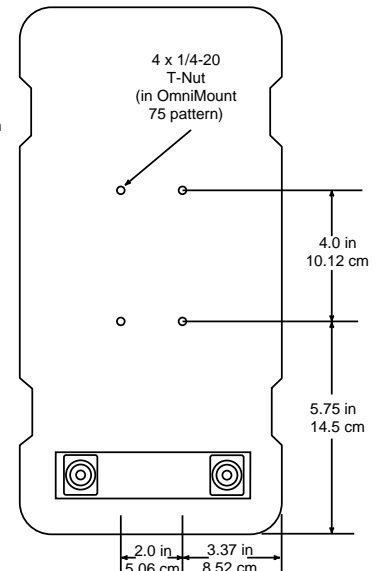
Height	16.3"	41.1. cm
Width	8.3"	21.0 cm
Depth	7.3"	19.0 cm
Weight	18 lb	11.4 kg
Shipping Weight	20 lb	13.6 kg
Fittings	4 x 5/16-18 inserts (1 per side) 4 x 1/4-20 on back for OmniMount™ 4 x 5/16-18 (2 per end for bolt-on standmount sockets)	
Cabinet Grill	Mid-density Polyethylene Powder coated steel (Black standard)	



Paris 616/ Vienna 16 End View



Vienna 16 Front View



Vienna 16 Back View

Architectural and Engineering Specifications

The loudspeaker system shall be of two-way type consisting of a 6.5" low frequency cone type transducer in a sealed direct radiating enclosure and a horn-mounted 1" ceramic driver.

The system shall meet the following performance criteria: Frequency Response: 85 Hz - 17.5 kHz. Power Handling: 135W. Rated Impedance shall be 8 ohms. High frequency dispersion shall be 90° H x 90° V.

The system shall include an internal passive crossover network, providing full-range operation via two Neutrik™ 4MP connectors. The cabinet shall be molded from mid-density (100% recycled if

black) polyethylene. All cabinet dyes shall be non-heavy metal based. The cabinet shall meet Mil-Spec 810E and be ATA-III compliant. The cabinet shall have a 10 year warranty.

The system shall have one 5/16-18 flypoint insert per side, and two additional 5/16-18 inserts on one end for a bolt-on standmount socket. The system shall also have four 1/4-20 flypoint inserts on the back of the cabinet to allow attachment of an OmniMount™ 75 bracket. All drivers shall be protected by a three-layer grill system.

The loudspeaker system shall be the Technomad Vienna 16.

Technomad
THE TOUGHEST LOUSPEAKERS IN THE WORLD

20 Park Plaza, Suite 467 Boston MA 02116 USA
email: info@technomad.com
www: http://www.technomad.com
phone: 800.464.7757 fax: 617 451 8999