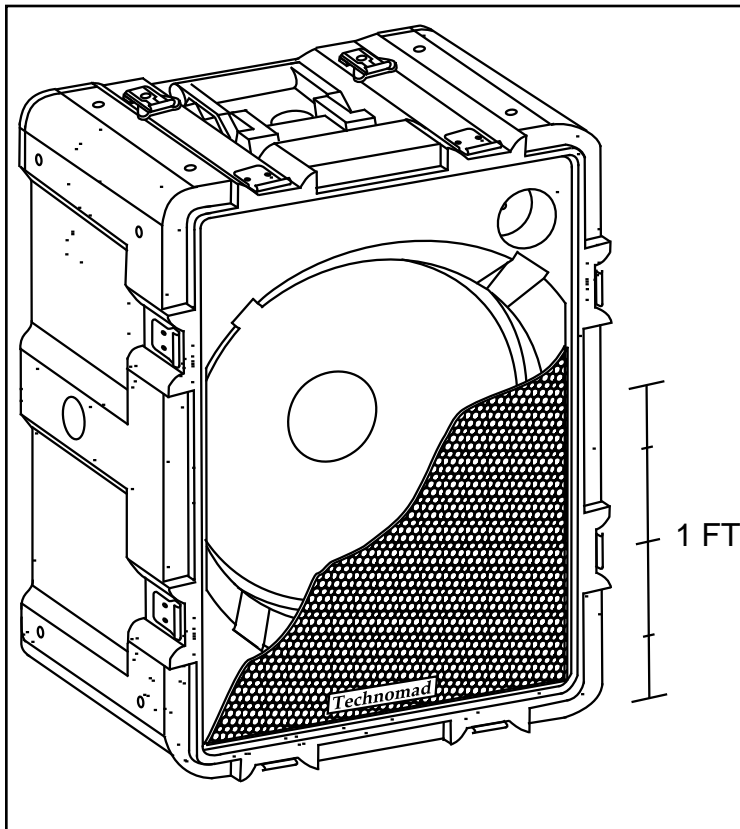


The Noho C

AS Series Tour Model

Weather Resistant, Self-casing, 2-Way Coaxial Full-Range Loudspeaker System



Features

- Compact, ruggedized cabinet
- Weather resistant drivers and electronics
- 10 Year Cabinet, 5 Year Hardware, 2 Year Electronics warranty
- 4 position PassiveProcessor™ EQ System
- Self-casing
- 1/4-20 T-Nut flypoints on top and side
- 5/16-18 Inserts for use with OmniMount™ 300 Series (on rear)
- One standmount socket, 1.5" diameter, is molded into each side of the cabinet
- Sockets on cabinet back for MonitorTilt™ application
- Large grip handles
- WeatherTech™ grill system
- Condensation build-up drain holes
- Thirteen (13) optional cabinet colors

Applications

- Sound rental companies
- Amusement parks
- Seaside and ski resorts
- Casinos
- City, state and national parks
- Cruise ships, Casino & Tour Boats
- Stadiums and Arenas
- Outdoor theaters
- Broadcast remotes
- Military and other government uses
- Ice Skating Rinks
- Indoor Pools

The Tour Model Noho C is designed to be used in abusive, real-world situations - year-round, indoors or out - without fear of water, salt, sand, insect, temperature, mold, mildew, chemical, condensation, or other damage. Combining super-rugged, U.S. Armed Forces road case technology with a number of acoustic innovations, Technomad builds uniquely compact and durable loudspeakers that are very powerful and musically accurate. Technomad loudspeakers are impact, UV light, fire and shotgun blast resistant, as well as water-tight when their protective lid is attached. Technomad loudspeakers are the only off-the-shelf PA speaker system that meets Military-Spec 810E and are ATA-III rated.

The Tour Model Noho C is designed for maximum flexibility and ease of use. 1.5" diameter standmount sockets are molded into the cabinet on all four sides, Four 1/4-20 threaded T-nut flypoint inserts on the Noho's top and right sides make the Noho flexible enough for any application. The included lid protects the speaker during shipping and latches onto the back of the cabinet when the loudspeaker is being used to prevent loss. A large handle on each end makes carrying the Noho C extremely easy. All hardware is black stainless steel to prevent corrosion and is recessed to prevent damage during shipment. All Technomads stack together via interlocking ribs during transit. Like-size Tour Model cabinets lock together. The Noho C can be used as a monitor by inserting two 12" lengths of standard standmount tubing

into two 1.5" sockets on the back of the cabinet. The Noho C is fully OmniMount™ 300 Series compatible via four 5/16-18 inserts on the back of the cabinet.

The Noho C is the perfect unit for any application where compact size and high power is required. Technomad's TrueBass™ tuning delivers exceptional bass extension, articulation, and pitch accuracy from an very small loudspeaker cabinet. Technomad loudspeakers are extremely EQ compliant and offer the user unrivaled control over every type of program material. The cast frame coaxial driver used in the Noho C insures point source clarity, high power handling and long life. Only the highest quality components are used in Technomad crossover networks. Metalized polypropylene capacitors and heavy gauge inductors minimize insertion loss and result in smooth response throughout the operating bandwidth.

Technomad Tour Model loudspeakers feature a unique four position, internal PassiveProcessor™ EQ System. The PassiveProcessor™ eliminates the need for outboard processors, thereby eliminating expense and system complexity. The EQ contour of a Technomad full-range loudspeaker is 'shaped' by the PassiveProcessor™, providing maximum efficiency and fidelity, for any indoor or outdoor event or program material.

Specifications

Noho C

Audio Specifications

Frequency Response (+/- 2 dB)	60 Hz - 17.5 kHz
Maximum Continuous Power ¹	275 watts
Maximum Peak Power ¹	500 watts
Recommended Amplifier Power [*]	350 watts
Sensitivity (swept sine wave)**	96 dB SPL
Sensitivity (full spectrum)***	91 dB SPL
Maximum Output (long term) ¹	113 dB SPL
Maximum Output (peak)	116 dB SPL
HF Dispersion	60° V x 90° H
Nominal Impedance	8 ohms
Low Frequency Limit	-10 dB @ 40 Hz

Signal Chain

HF	1" Compression Driver
LF	12" LF Driver
Connectors	2 x Neutrik™ NL4MP Speak-on, one per end
Crossover	Passive Internal

¹ Based on EIA test RS-426A, pink noise used as test source

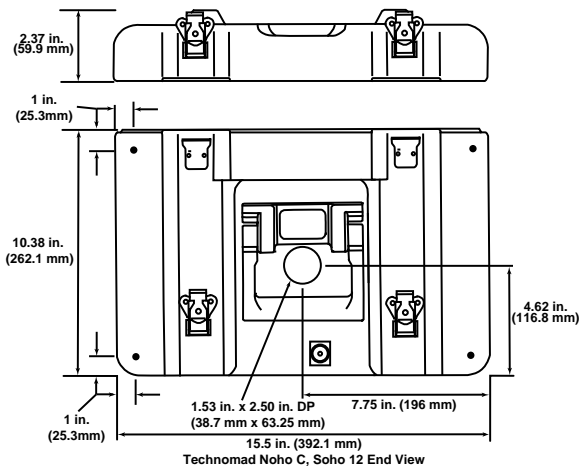
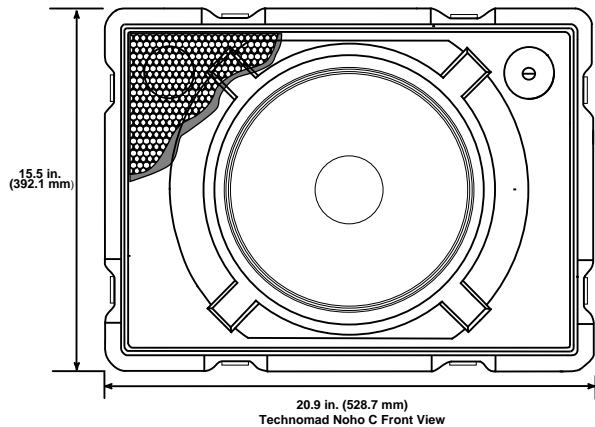
^{*} Maximum continuous program

^{**} Axial 1W@1M

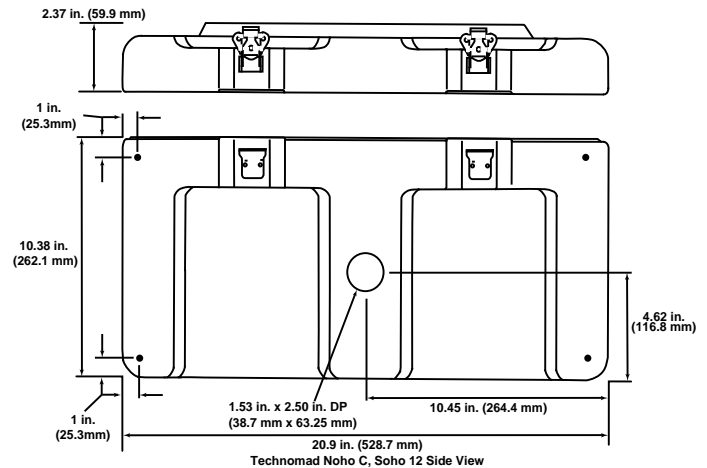
^{***} Axial 1W@1M full spectrum input, averaged 100 Hz-10 kHz

Physical Specifications

Height	20.9"	52.8 cm
Width	15.5"	39.2 cm
Depth w/o Lid	10.4"	26.7 cm
Weight	58 lb.	26.3 kg
Shipping Weight	60 lb.	27.3 kg
Fittings	8 x 1/4-20 inserts (4 on top end, 4 on right side) 4 x 5/16-18 centered on back for Omnimount™ 300 Series	
Standmount Sockets	4- One per side, 1.5" dia. meter (standard) 2 on back for MonitorTilt™ application.	
Handles	2- Large Easy-Grip	
Cabinet	Mid-density Polyethylene	
Grill	Powder coated steel (Black standard)	



● = 1/4-20 Threaded Insert (Top end only)



● = 1/4-20 Threaded Insert (Right side only)

Architectural and Engineering Specifications

The loudspeaker system shall be of two-way type consisting of one 12" low frequency cone type transducer in a vented direct radiating enclosure and a coaxially mounted 1" compression driver.

The system shall meet the following performance criteria: Frequency Response: 60 Hz- 17.5 kHz. Power Handling: 275W. Rated impedance shall be 8 ohms. High frequency dispersion shall be 50° V x 90° H.

The system shall include an internal passive crossover network, providing full range operation via two Neutrik™ 4MP connectors. The system shall include a four position, internal PassiveProcessor™ EQ System. The cabinet shall be molded from mid-density, (100% recycled if

Black) polyethylene. All cabinet dyes shall be non-heavy metal based. The cabinet shall meet Mil-Spec 810E and be ATA-III compliant. The cabinet shall have a 10 year warranty.

The system shall include 1.5" stand mount sockets on four sides. The system shall have two handles. The system shall have eight 10-1 rated 1/4-20 threaded inserts for hanging. The system shall have four 10-1 rated 5/16-18 inserts on the rear of the cabinet, in a pattern compatible with the OmniMount 300 bracket. The system shall have a lid. The driver shall be protected by a three layer grill system. All hardware shall be stainless steel.

The loudspeaker system shall be the Technomad Tour Model Noho C.

Technomad
THE TOUGHEST LOUSPEAKERS IN THE WORLD

20 Park Plaza, Suite 467 Boston MA 02116 USA
email: info@technomad.com
www: http://www.technomad.com
phone: 800.464.7757 fax: 617 451 8999