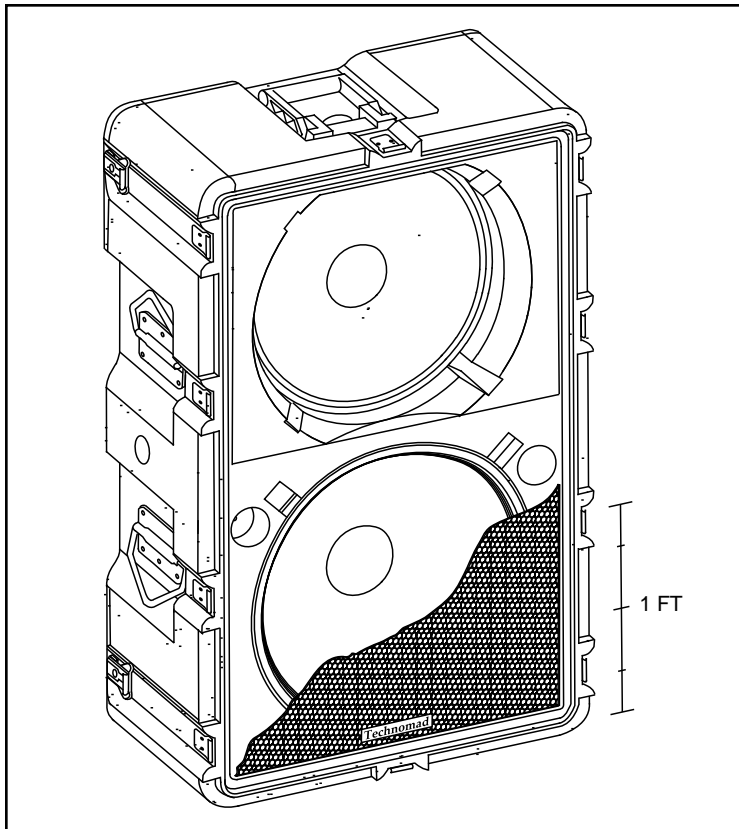


The Chicago 15/12

AS Series Tour Model

Weather Resistant, Self-casing, Subwoofer Loudspeaker System



Shown without WeatherTech™ full-face grill

The Tour Model Chicago 15/12 is designed to be used in abusive, real world situations - year-round, indoors or out - without fear of water, salt, sand, insect, temperature, mold, mildew, chemical, condensation, or other damage. Combining super-rugged, U.S. Armed Forces road case technology with a number of acoustic innovations, Technomad builds uniquely compact and durable loudspeakers that are very powerful and musically accurate. Technomad loudspeakers are impact, UV light, fire and shotgun blast resistant, as well as water-tight when the protective lid is attached. Technomad loudspeakers are the only off-the-shelf PA speaker system that meets Military-Spec 810E and are ATA-III rated.

The Tour Model Chicago 15/12 is designed for maximum flexibility and ease of use. 1.5" diameter standmount sockets are molded into the cabinet on all four sides, and 4 optional D-ring flypoints make setting up and breaking down a Chicago 15/12 system quick and efficient. The included lid protects the speaker during shipping and latches onto the back of the cabinet when the unit is being used. When the lid is used in this fashion, it increases the overall depth of the cabinet, adding to

Features

- Compact, ruggedized cabinet
- Weather resistant drivers
- 10 Year Cabinet, 5 Year Hardware, 2 Year Electronics warranty
- Self-casing
- One standmount socket, 1.5" diameter, is molded into each side of the cabinet
- Sockets on cabinet back for MonitorTilt™ application
- Large grip handles
- WeatherTech™ grill system
- Condensation build-up drain holes
- Thirteen (13) optional cabinet colors

Applications

- Sound rental companies
- Amusement parks
- Aquatic facilities
- Seaside and ski resorts
- Casinos
- City, state and national parks
- Cruise ships, Casino & Tour Boats
- Stadiums
- Arenas
- Outdoor theaters
- Broadcast remotes
- Military and other government uses

the stability and security of the loudspeaker, especially when multiple loudspeakers are stacked. A large handle at each end makes carrying the Chicago 15/12 easy. All hardware is black stainless steel to prevent corrosion and is recessed to prevent damage during shipment. All units stack together with interlocking ribs during transit. Like size Tour Model cabinets lock together.

The Chicago 15/12 offers outstanding low-frequency performance in demanding applications. Technomad's TrueBass™ tuning delivers exceptional bass extension, articulation, and pitch accuracy without compromising the portability or installability of the Chicago 15/12. Due to the Chicago's extremely small size, shallow depth and very powerful output, Chicago subwoofers can be installed in small areas- within walls, scenery, shrubbery, etc - providing even bass coverage over larger areas. This eliminates the need for huge, expensive subwoofer cabinets that take up large amounts of floor space.

Technomad
THE TOUGHEST LOUDSPEAKERS IN THE WORLD

20 Park Plaza, Suite 467 Boston MA 02116 USA
email: info@technomad.com
www: http://www.technomad.com
phone: 800.464.7757 fax: 617 451 8999

Specifications

Chicago 15/12

Audio Specifications

Frequency Response (+/- 2 dB)	38 Hz- 5200 Hz
Maximum Continuous Power ¹	700 watts
Maximum Peak Power ¹	1400 watts
Recommended Amplifier Power*	750 watts
Sensitivity (swept sine wave)**	103 dB SPL
Sensitivity (full spectrum)***	96 dB SPL
Maximum Output (long term) ¹	119 dB SPL
Maximum Output (peak)	122 dB SPL
HF Dispersion	-
Nominal Impedance	4 ohms
Low Frequency Limit	-10 dB @ 30 Hz

Physical Specifications

Height	32.84"	83.8 cm
Width	20.9"	52.8 cm
Depth w/o lid	10.7"	27.0 cm
Weight	97 lbs	44.0 kg
Shipping Weight	99 lbs	44.9 kg
Fittings	4 x D-Ring flypoints (optional)	
Standmount Sockets	4- One per side, 1.5" diameter (standard)	
Handles	2- Large Easy-Grip	
Cabinet	Mid-density Polyethylene	
Grill	Powder coated steel (Black standard)	

¹ Based on EIA test RS-426A, pink noise used as test source

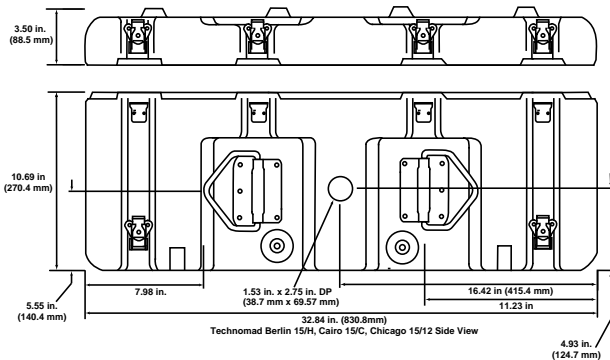
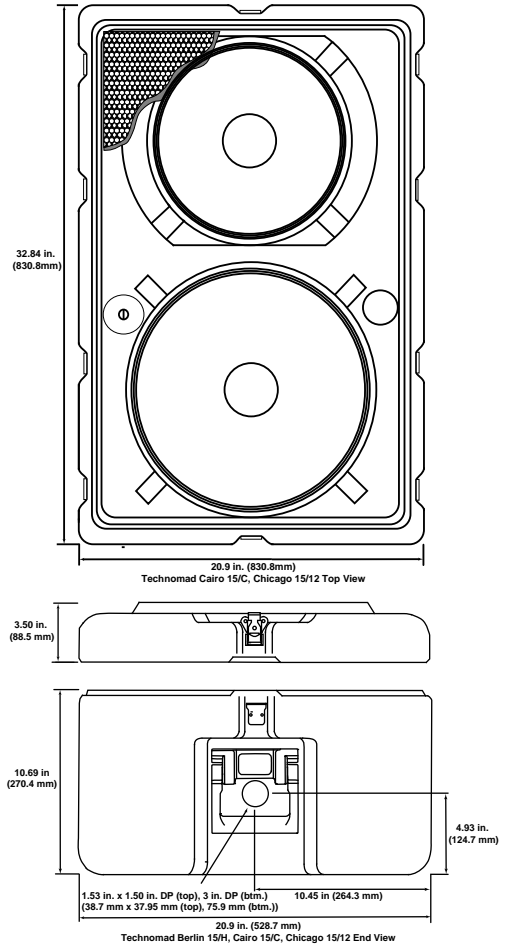
* Maximum continuous program

** Axial 1W@1M

*** Axial 1W@1M full spectrum input, averaged 100 Hz-10 kHz

Signal Chain

HF	N/A
MF	12" LF Driver
LF	15" LF Driver
Connectors	4 x Neutrik™ NL4MP Speak-on, 2 per side, recessed
Crossover	N/A



Architectural and Engineering Specifications

The loudspeaker system shall be subwoofer consisting of one 12" low frequency cone type transducer and one 15" low frequency cone type transducer in a vented direct radiating enclosure.

The system shall meet the following performance criteria: Frequency Response: 38 Hz - 5200 Hz. Power Handling: 700W. Rated impedance shall be 4 ohms.

The system shall include 4 Neutrik™ 4MP connectors. The cabinet shall be molded from mid-density, (100% recycled if black) polyethylene.

All cabinet dyes shall be non-heavy metal based. The cabinet shall meet Mil-Spec 810E and be ATA-III compliant. The cabinet shall have a 10 year warranty.

The system shall include 1.5" stand mount sockets on four sides. The system shall have two spring-loaded handles. The system shall have a fully gasketed lid. All drivers shall be protected by a three layer grill system. All hardware will be stainless steel.

The loudspeaker system shall be the Technomad Tour Model Chicago 15/12.

Technomad
THE TOUGHEST LOUSPEAKERS IN THE WORLD.

20 Park Plaza, Suite 467 Boston MA 02116 USA
email: info@technomad.com
www: http://www.technomad.com
phone: 800.464.7757 fax: 617 451 8999