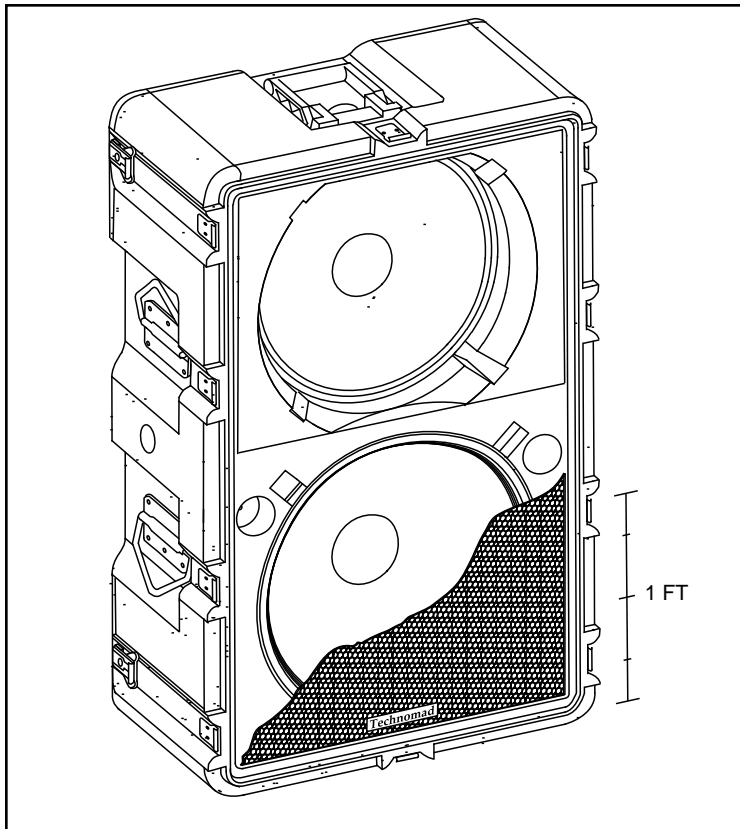


# The Cairo 15/C

AS Series  
Tour Model

Weather Resistant, Self-casing, Bi-amped, 3-Way Full-Range Loudspeaker System



Shown without WeatherTech™ full-face grill

The Tour Model Cairo 15/C is designed to be used in abusive, real-world situations - year-round, indoors or out, without fear of water, salt, sand, insect, temperature, mold, mildew, chemical, condensation, or other damage. Combining super-rugged, U.S. Armed Forces road case technology with a number of acoustic innovations, Technomad builds uniquely compact and durable loudspeakers that are very powerful and musically accurate. Technomad loudspeakers are impact, UV light, fire and shot-gun blast resistant, as well as water-tight when the protective lid is attached. Technomad loudspeakers are the only off-the-shelf PA speaker system that meets Military-Spec 810E and are ATA-III rated.

The Tour Model Cairo 15/C is designed for maximum flexibility and ease of use. 1.5" diameter standmount sockets are molded into the cabinet on all four sides, and 4 D-ring flypoints make setting up and breaking down a Cairo 15/C system quick and efficient. The included lid protects the speaker during shipping and latches onto the back of the cabinet when the unit is being used. When the lid is used in this fashion, it increases the overall depth of the cabinet, adding to the stability and security of the loudspeaker, especially when multiple loudspeakers are stacked. A large handle at each end makes carrying the Cairo 15/C easy. All hardware is black stainless steel to prevent corrosion and is recessed to prevent damage during shipment. All

## Features

- Compact, ruggedized cabinet
- Weather resistant drivers and electronics
- 10 Year Cabinet, 5 Year Hardware, 2 Year Electronics warranty
- Four position PassiveProcessor™ EQ System
- Self-casing
- Four 10-1 rated D-Rings flypoints
- One standmount socket, 1.5" diameter, is molded into each side of the cabinet
- Sockets on cabinet back for MonitorTilt™ application
- Large grip handles
- WeatherTech™ grill
- Condensation build-up drain holes
- Thirteen (13) optional cabinet colors

## Applications

- Sound rental companies
- Amusement parks
- Aquatic facilities
- Seaside and ski resorts
- Casinos
- City, state and national parks
- Cruise ships, Casino & Tour Boats
- Stadiums
- Arenas
- Outdoor theaters
- Broadcast remotes
- Military and other government uses

units stack together with interlocking ribs during transit. Like size Tour Model cabinets lock together.

The Cairo 15/C offers exceptional low-end performance in demanding full range applications. Technomad's TrueBass™ tuning delivers exceptional bass extension, articulation, and pitch accuracy from a very small loudspeaker cabinet. Technomad loudspeakers are extremely EQ compliant and offer the user unrivaled control over every type of program material, through the entire frequency spectrum, regardless if it's recorded or live music, spoken word, sound effects, etc. The cast frame coaxial driver used in the Cairo insures point source clarity, high power handling and long life. Only the highest quality components are used in Technomad crossover networks; metalized polypropylene capacitors and heavy gauge inductors minimize insertion loss and result in smooth response throughout the operating bandwidth.

Technomad Tour Model loudspeakers feature a unique four position, internal PassiveProcessor™ EQ System. The PassiveProcessor™ eliminates the need for outboard processors, thereby eliminating expense and system complexity. The EQ contour of a Technomad full-range loudspeaker is 'shaped' by the PassiveProcessor™, providing maximum efficiency and fidelity, for any size indoor or outdoor event or program material.

# Specifications

## Cairo 15/C

### Audio Specifications

	Coax./15 LF
Frequency Response (+/- 2 dB)	38 Hz- 17.5 kHz
Maximum Continuous Power <sup>1</sup>	275/700 watts
Maximum Peak Power <sup>1</sup>	500/1400 watts
Recommended Amplifier Power*	350/750 watts
Sensitivity (swept sine wave)**	96/98 dB SPL
Sensitivity (full spectrum)***	91/91 dB SPL
Maximum Output (long term) <sup>1</sup>	113/120 dB SPL
Maximum Output (peak)	116/123 dB SPL
HF Dispersion	60° V x 90° H
Nominal Impedance	8 ohms (per channel)
Low Frequency Limit	-10 dB @ 30 Hz

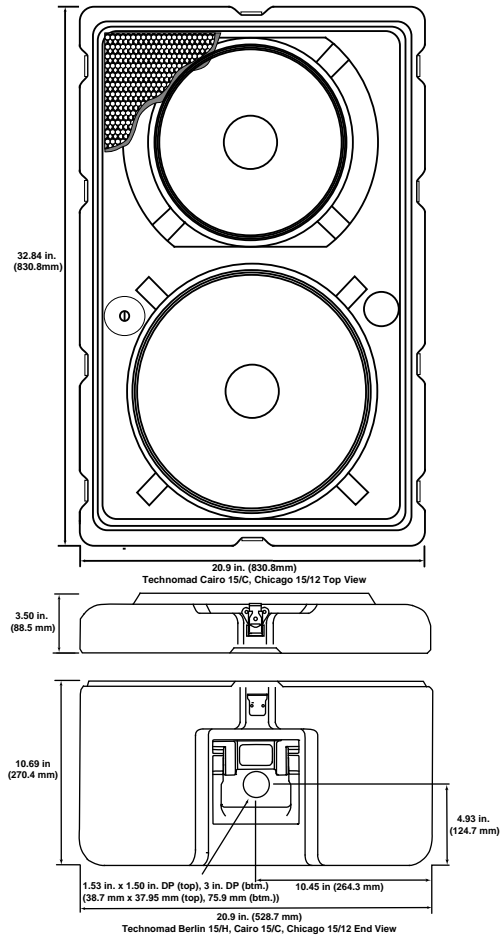
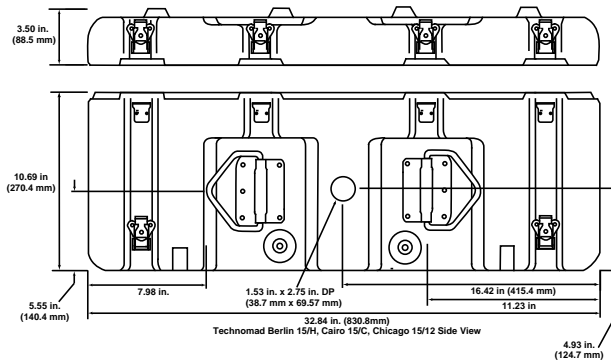
### Physical Specifications

Height	32.9"	83.8 cm
Width	20.9"	52.8 cm
Depth w/o lid	10.7"	27 cm
Weight	103 lb.	46.7 kg
Shipping Weight	105 lb.	47.6 kg
Fittings	4 x D-Ring flypoints	
Standmount Sockets	4- One per side, 1.5" dia. (standard) 4 on back for MonitorTilt application.	
Handles	2- Large Easy-Grip	
Cabinet	Mid-density Polyethylene	
Grill	Powder coated steel (Black standard)	

### Signal Chain

HF	1" Compression Driver
MF	12" LF Driver
LF	15" LF Driver
Connectors	4 x Neutrik™ NL4MP Speak-on, 2 per side, recessed
Crossover	Passive Internal (for 12"/1" coax.)

<sup>1</sup> Based on EIA test RS-426A, pink noise used as test source  
 \* Maximum continuous program  
 \*\* Axial 1W@1M  
 \*\*\* Axial 1W@1M full spectrum input, averaged 100Hz-10kHz



### Architectural and Engineering Specifications

The loudspeaker system shall be of bi-amped three-way type consisting of one 12" low frequency cone type transducer with a coaxially mounted 1" compression driver and a 15" low frequency cone type transducer in a vented direct radiating enclosure.

The system shall meet the following performance criteria: Frequency Response: 38 Hz -17.5 kHz. Power Handling: 275W Program for the 12"/1" coaxial driver, and 700W Program for the 15" driver. Rated impedance shall be 8 ohms per channel. High frequency dispersion shall be 60° V x 90° H.

The system shall include an internal passive crossover network, providing full range operation via four Neutrik™ 4MP connectors. The system

shall include a four position, internal PassiveProcessor™ EQ System.

The cabinet shall be molded from mid-density, (100% recycled if black) polyethylene. All cabinet dyes shall be non heavy metal based. All hardware shall be stainless. The cabinet shall meet Mil-Spec 810E and be ATA-III compliant. The cabinet shall have a 10 year warranty.

The system shall include 1.5" standmount sockets on four sides. The system shall have two spring-loaded handles. The system shall have four 10-1 rated D-Ring fly-points. The system shall have a fully gasketed lid. All drivers shall be protected by a three layer grill system.

The loudspeaker system shall be the Technomad Tour Model Cairo 15/C.

**Technomad**  
 THE TOUGHEST LOUSPEAKERS IN THE WORLD

20 Park Plaza, Suite 467 Boston MA 02116 USA  
 email: info@technomad.com  
 www: http://www.technomad.com  
 phone: 800.464.7757 fax: 617 451 8999