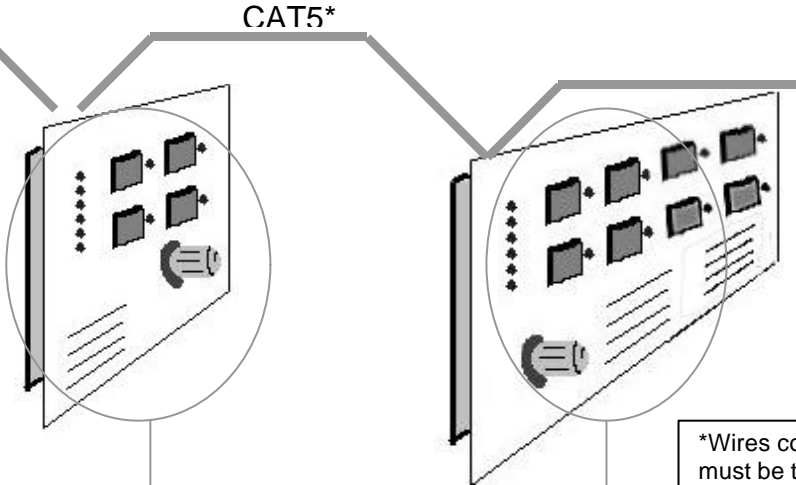
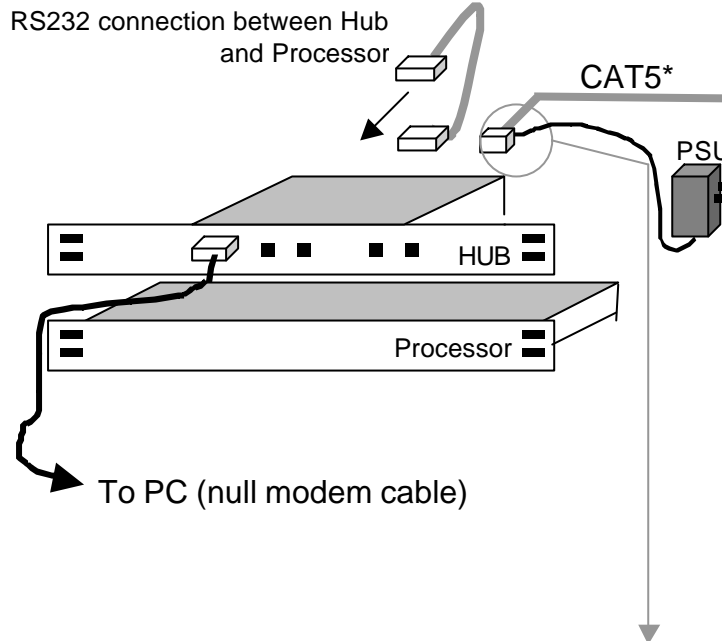


Intelliplate Wiring Instructions

© 2001 audace ltd
 For further details, please contact audace ltd, 50 Mt Ambrose, Redruth, Cornwall TR15 1RA, UK.
 Tel +44 (0)1209 214147 Fax +44 (0)1209 216333
 Email sales@audace.co.uk or visit our web site at www.audace.co.uk



*Wires connected to A and B lines must be taken from a twisted pair within the CAT5 cable.
 Max no of panels per Hub = 31
 Max distance for CAT5 cable = 4000ft

