



Micronet[®]
Faster and Easier Networks



Micronet SP5521/SP5521W

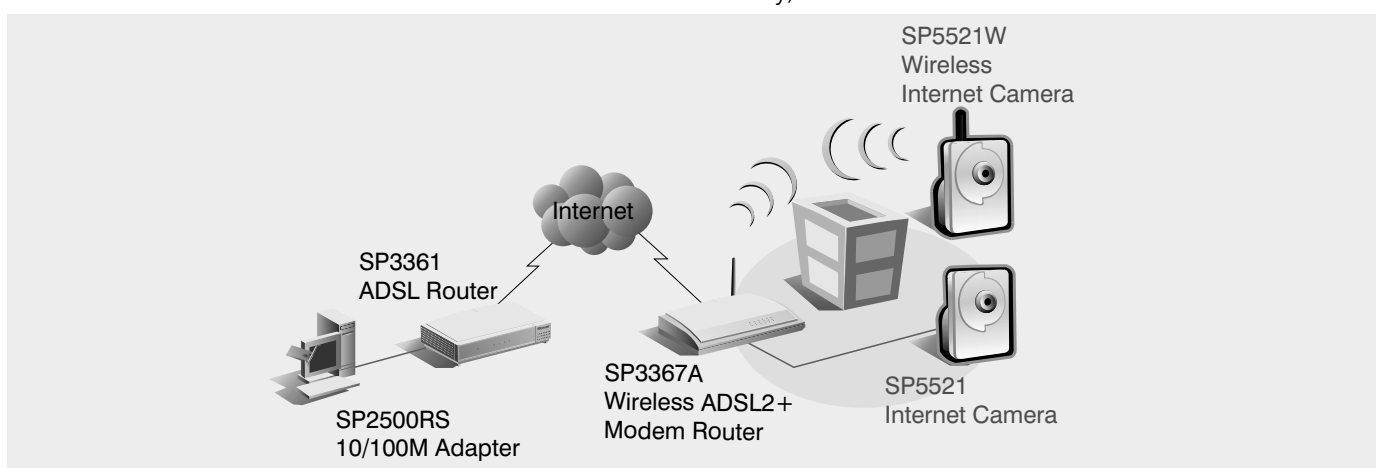
Wired/Wireless Internet Camera

The best solution for Remote Monitor, high quality, high performance

Micronet IP Cameras are standalone and powerful surveillance system that can be connected directly to an Ethernet/Fast Ethernet standard or WiFi standard. By adapting latest Triple-stream technology, you can view and record in different compression methods and different resolutions at the same time. Moreover, Bi-Directional audio function provides the user to interact, monitor or record from the camera. Micronet IP Cameras provide real-time and high-quality video stream to deliver the flexibility, scalability, cost-effectiveness, integration and future-proof.

Key Features

- Superior image quality guarantee
- Built-in Web server for monitoring via standard browser on Windows or Mac
- Support 2-Way audio for listening and speaking through the camera
- Built-in USB port for storing still image Provide multiple platforms supported directly
- Snapshot onto a USB flash drive or hard drive directly
- Simultaneous Triple-stream for viewing and recording in different compression technologies (Simultaneous Motion JPEG and MPEG-4) and different video resolutions(VGA/GVGA/QQVGA)
- Built-in USB port for storing still image
- Day & Night function---Infrared light for surveillance in low light or complete darkness
- Supports 3GPP Mobile Surveillance for viewing via Mobile devices
- Motion detection with Email notification, FTP uploading, or storing onto Flash drive
- Supports time stamp overlay
- Support Universal Plug and Play for easy installation
- Free bundled 16-CH software for viewing and recording up simultaneously
- Advanced encryption mode WPA2-PSK(SP5521W Only)



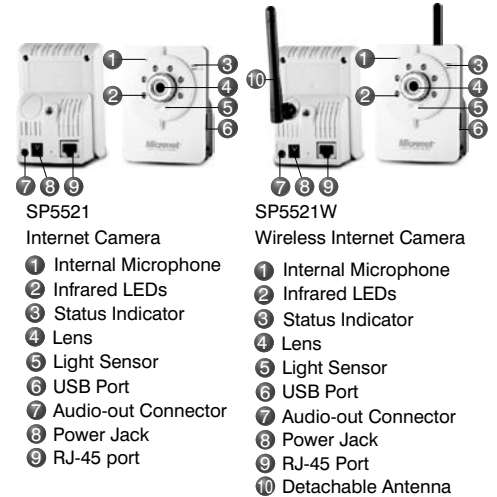
Wired/Wireless Internet Camera

SPECIFICATION AND PRODUCT FEATURES

Model	SP5521	SP5521W
Standard	IEEE802.3, IEEE802.3u, IEEE802.11b/g(SP5521W)	
LAN	1 RJ-45 port of 10/100M	
Antenna Type	-	Detachable, R-SMA
Protocol	TCP/IP, UDP, ICMP, DHCP, NTP, DNS, DDNS, SMTP, FTP, Samba, PPPoE, UPnP, RTP, RTSP, RTCP	
Video resolution	VGA/QVGA/QQVGA	
Image compression	MPEG4/MJPEG/3GPP	
Frame rate	VGA/QVGA/QQVGA; 30fps max.	
Video Spec-Resolution	640 x 480 pixel	
Video Spec-Sensor	1/4" color CMOS sensor	
Video Spec-Focal Length	4.6 mm	
Video Spec-Aperture	F=2.8	
Video Zoom	Digital 1x,2x,3x	
Frame rate setting	Auto/Manual	
Brightness control	Range 1- 100	
Contrast control	Range 1- 100	
Hue control	Range 1- 100	
Browser	Internet Explorer 6.0 or above, Apple Safari 2 or above Mozilla Firefox 2.00 or above	
Operating temperature	0 °C ~45 °C	
Operating Humidity	20%~85% non-condensing	
Dimension(mm)	71 x 96 x 56.2	
Weight	0.75Kg/pc	0.80Kg/pc
Power Supply	DC 5V, 2.5A	

The product specifications are subject to change without prior notice

Model	Description
SP5521	Internet Camera, Wired
SP5521W	Internet Camera, Wireless



COMPANION PRODUCTS

Consider the following Micronet products as a factor in your network planning.

- 56K Modem
- ADSL and Broadband
- Internet Camera
- ISDN TA / Router
- KVM Switch
- Media Converter
- Mobile Communication
- Network Interface Card
- PCMCIA and Compact Flash
- Powerline
- Print Server
- Switch and Hub/SOHO
- Switch/Enterprise
- USB Device Family
- VDSL
- IP Telephony
- Wireless LAN
- Wiring System

Copyright © 2005 Micronet Communications Inc. All technical information in this document is subject to change without prior notice. Micronet, EtherFast and MicroView are registered trademarks of Micronet Communications Inc. Microsoft, Windows, Windows 95, Windows 98, Windows NT, Windows 2000 are registered trademarks of Microsoft Corporation. Novell and Netware are registered trademarks of Novell Inc. All other trademarks and registered trademarks are properties of their respective holders.



Micronet Communications Inc.

E-mail: sales@micronet.info; support@micronet.info Web: http://www.micronet.info